

4

3

2

1

D

D

C

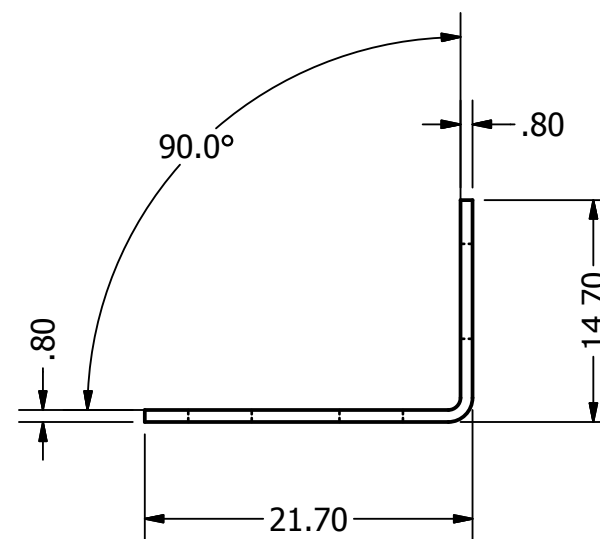
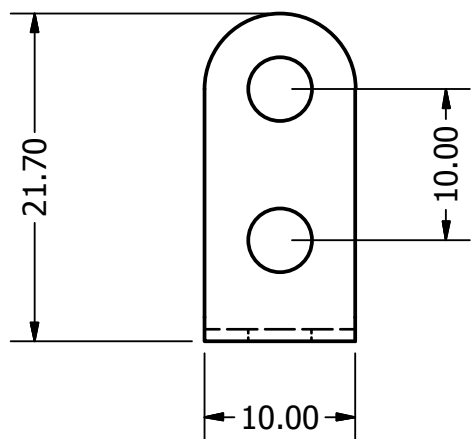
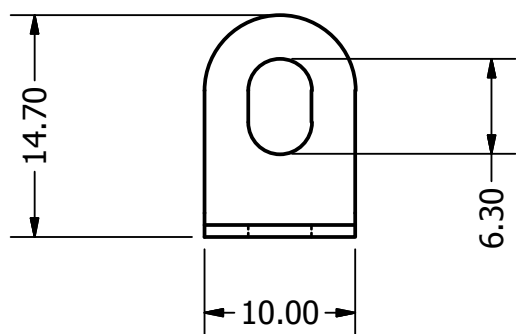
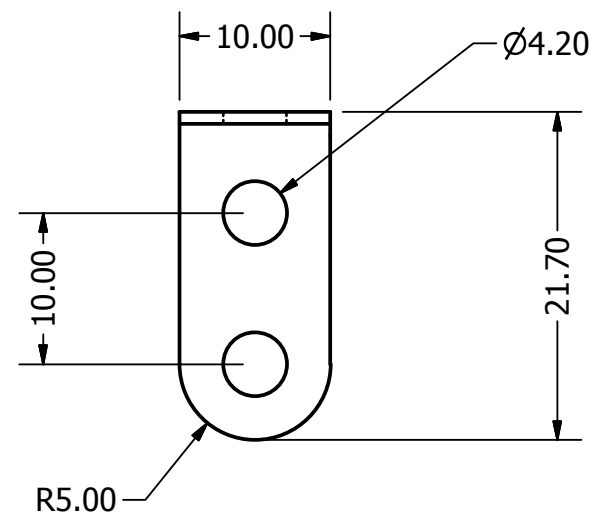
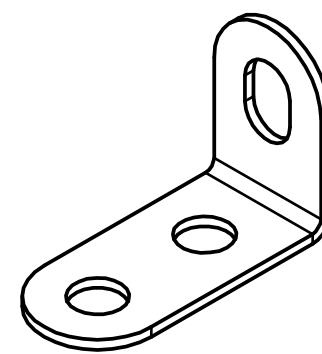
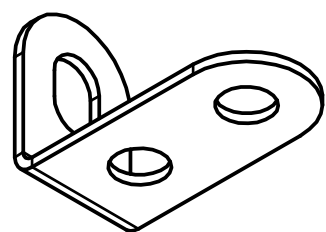
C

B

B

A

A



DRAWN Miro Kefurt	7/19/2013	MIROX Corporation Copyright © 2013		
CHECKED				
QA		TITLE KONSTRUKT-IT™		
MFG		Angle Bar holes: round 1 2		
APPROVED		SIZE C	Material Steel	DWG NO L12
		SCALE	Dimensions Millimeter	REV
				SHEET 1 OF 1

PRODUCED BY AN AUTODESK EDUCATIONAL PRODUCT