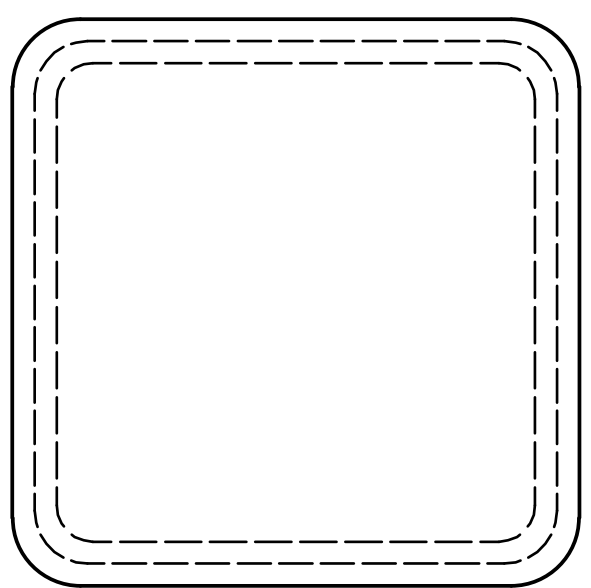
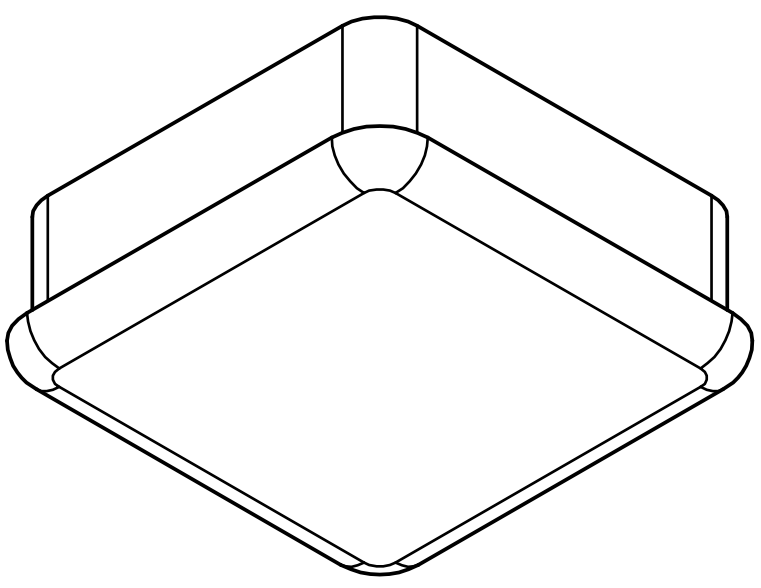
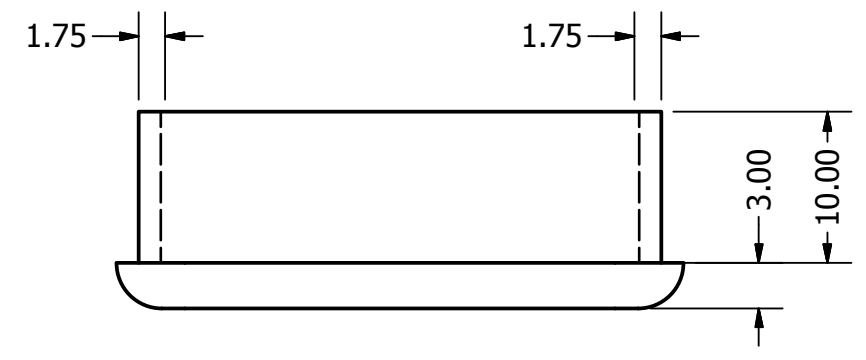
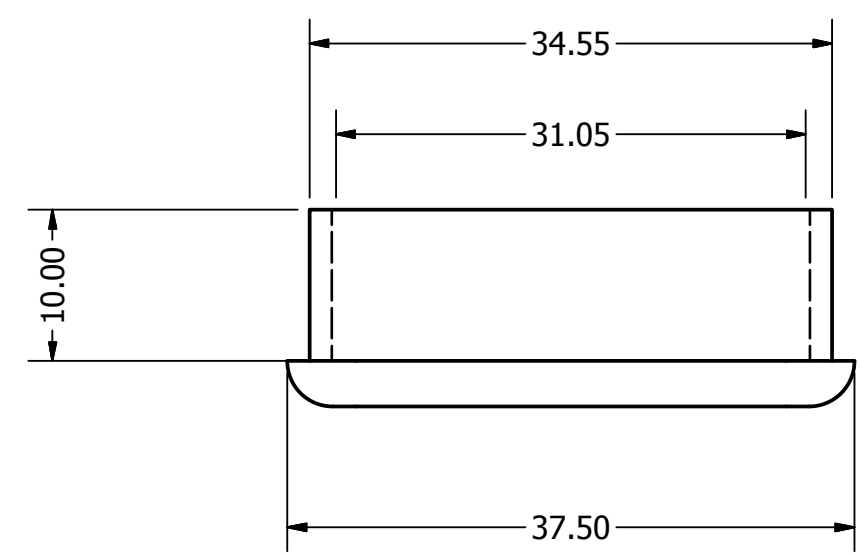
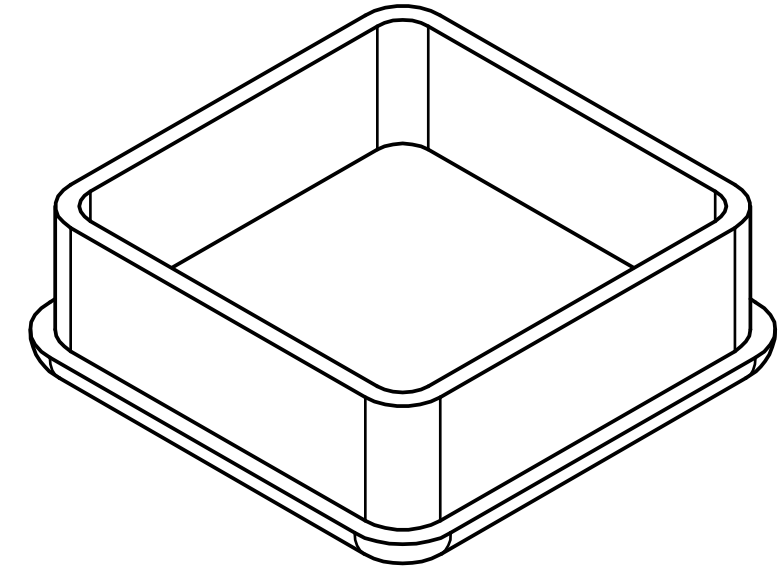
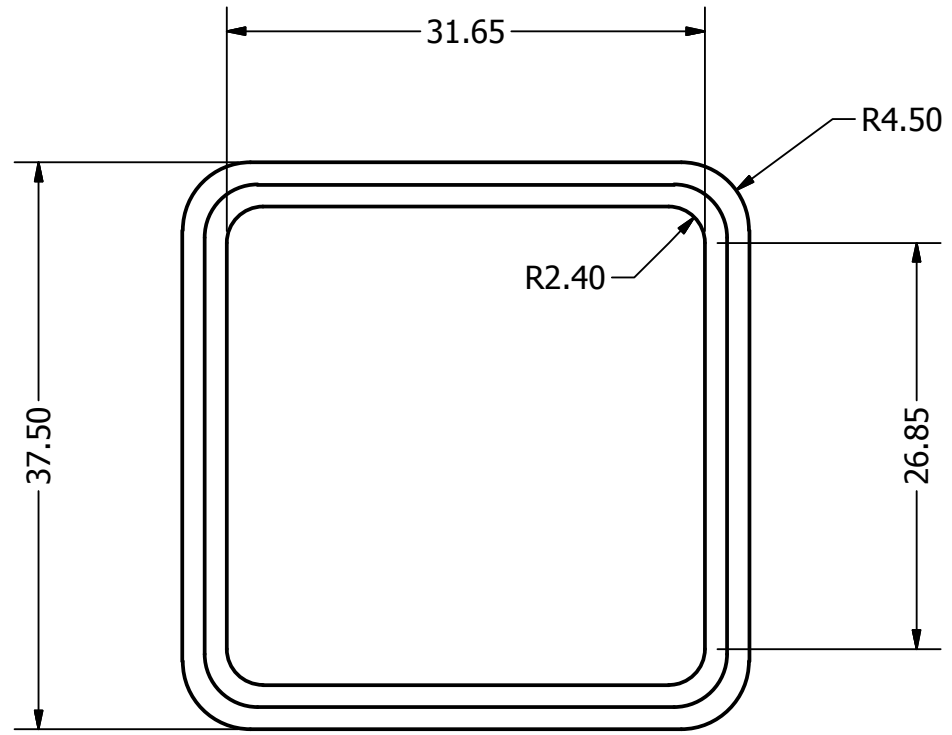


4 3 2 1

D C B A

D C B A



DRAWN Miro Kefurt	7/18/2013	<b>MIROX Corporation</b> Copyright © 2013		
CHECKED MK	7/18/2013			
QA		TITLE <b>KONSTRUKT-IT™</b>		
MFG MK	7/18/2013	End Cap (30 x 30 mm)		
APPROVED MK	7/18/2013	SIZE <b>C</b>	Material ABS	DWG NO <b>EC30</b>
		SCALE	Dimensions <b>Millimeter</b>	REV A
				SHEET 1 OF 1

4 3 2 1