

4

3

2

1

D

D

C

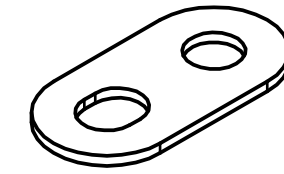
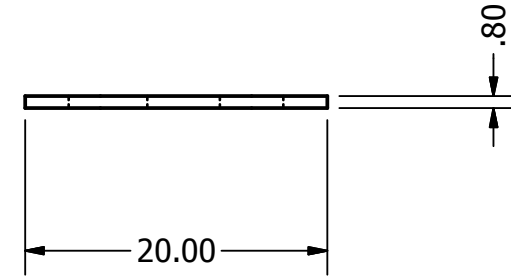
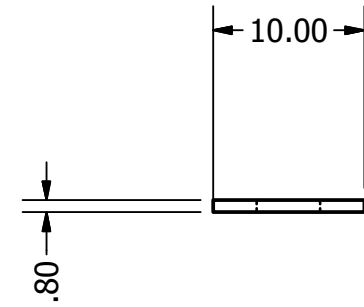
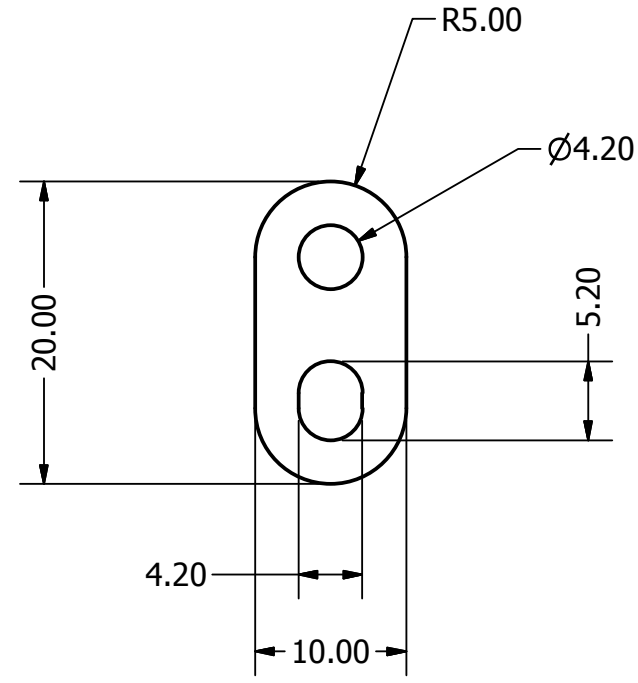
C

B

B

A

A



DRAWN Miro Kefurt	7/18/2013	MIROX Corporation Copyright © 2013		
CHECKED MK	7/18/2013			
QA		TITLE KONSTRUKT-IT™		
MFG MK		Bar holes: 1 round and 1 oval (10 x 20 mm)		
APPROVED MK	7/18/2013	SIZE C	Material Steel	DWG NO B2A
		SCALE	Dimensions Millimeter	REV A
				SHEET 1 OF 1

4

3

2

1

4