

4

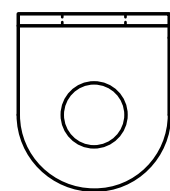
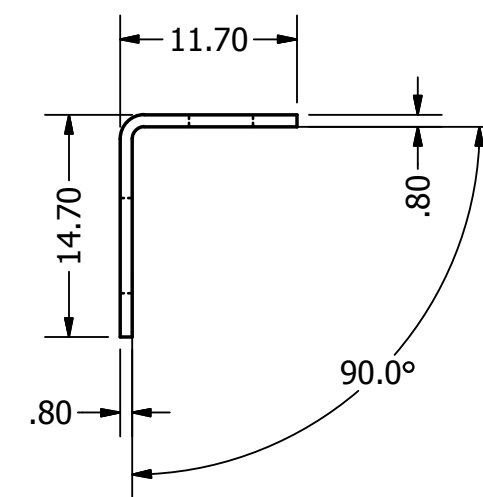
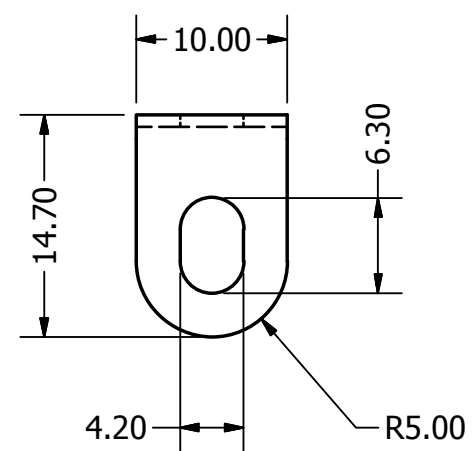
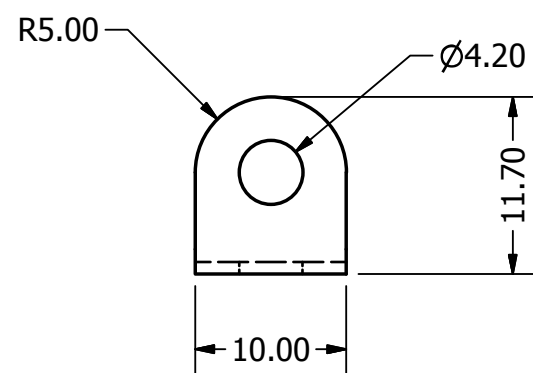
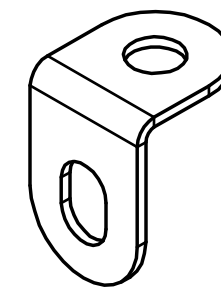
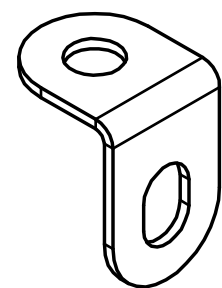
3

2

1

D

D



C

C

B

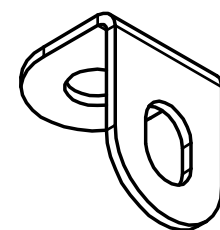
B

B

B

A

A



4

3

2

1

DRAWN	Miro Kefurt	7/19/2013	<b>MIROX Corporation</b> Copyright © 2013			
CHECKED	MK	7/19/2013				
QA	QA		TITLE <b>KONSTRUKT-IT™</b>			
MFG	MK	7/19/2013	Angle Bar holes: 1 oval   1 round			
APPROVED	MK	7/19/2013	SIZE	Material	DWG NO	REV
			C	Steel	A11C	
			SCALE	Dimensions	Millimeter	SHEET 1 OF 1