

4

3

2

1

D

D

C

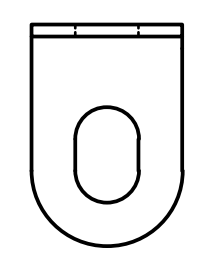
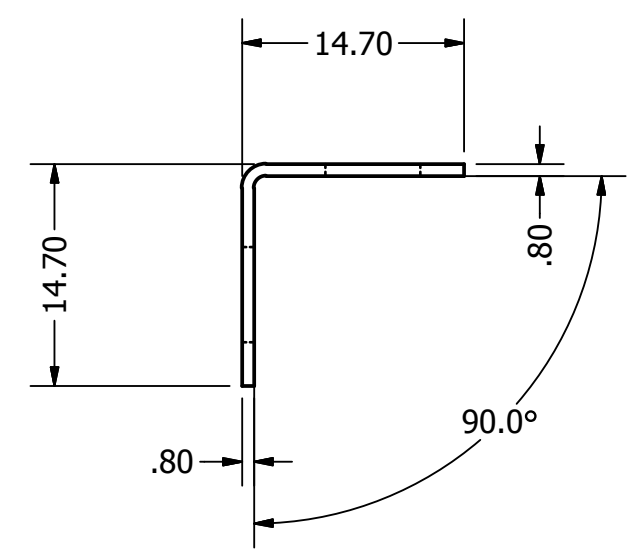
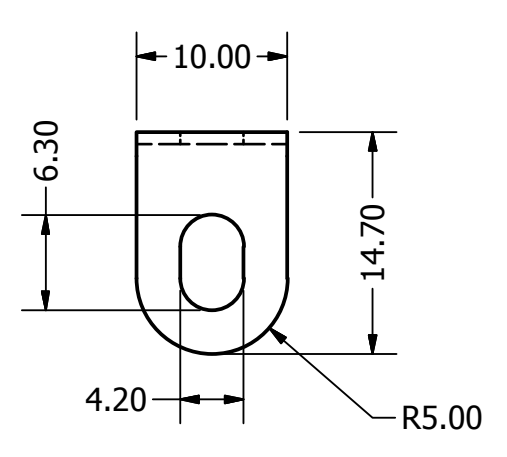
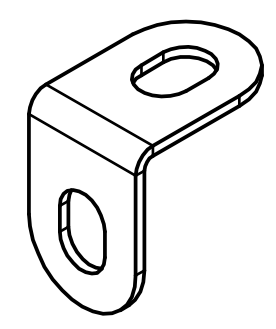
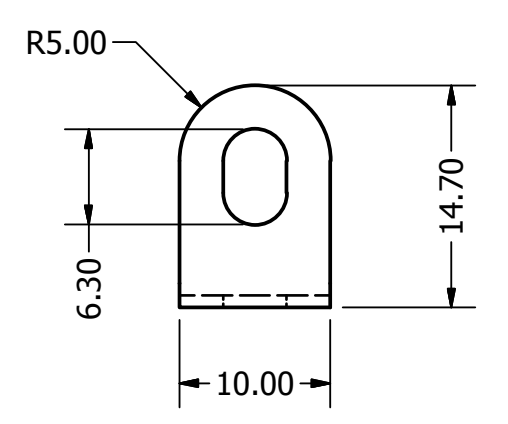
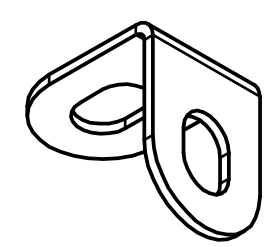
C

B

B

A

A



DRAWN	Miro Kefurt	7/19/2013	MIROX Corporation Copyright © 2013			
CHECKED	MK	7/19/2013				
QA	QA		TITLE KONSTRUKT-IT™			
MFG	MK	7/19/2013	Angle Bar holes: 1 oval 1 oval			
APPROVED	MK	7/19/2013	SIZE	Material	DWG NO	REV
			C	Steel	A11A	A
SCALE			Dimensions	Millimeter	SHEET 1 OF 1	

4

3

2

1

